

# HARDI HOT LIQUID PUMPS



## General specifications

- Six diaphragm positive displacement radial pump
- For hot liquids up to 90°C / 194°F.
- Supplied with base plate.
- Self-priming.
- Can be run dry.
- Can rotate clockwise or anticlockwise.
- One grease point for lubrication.
- Dry sump to simplify maintenance.
- No special tools needed for maintenance.
- Nitril diaphragms and seals.
- Stainless steel valves.
- Stainless steel diaphragm discs and bolts.
- Cast iron crankcase and covers.
- Surface coated black.
- Hydraulic drive kit available.
- Not factory lubricated. Requires suitable grease.

### 363/7.0 (Ref. no. 821578)

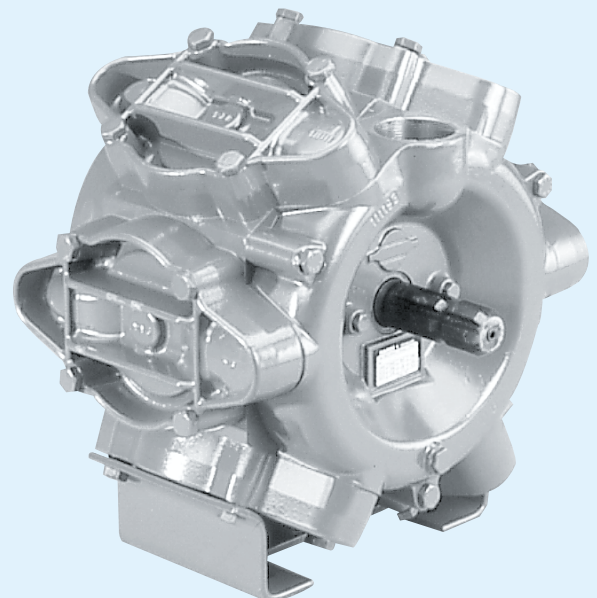
- 1½" suction port, 1" pressure port (ISO 7).
- 6-splined 1⅜" shaft.
- Normal operating revolutions, 540 r/min.
- Maximum pressure, 20 bar / 294 PSI.
- Maximum vacuum, 0.54 bar / 7.9 PSI.
- Weight, 52.6 kg / 116 lb.

- 2" suction port, 1¼" pressure port (ISO 7).
- 6-splined 1⅜" shaft.
- Normal operating revolutions, 540 r/min.
- Maximum pressure, 15 bar / 220 PSI.
- Maximum vacuum, 0.58 bar / 8.5 PSI.
- Weight, 66.5 kg / 147 lb.

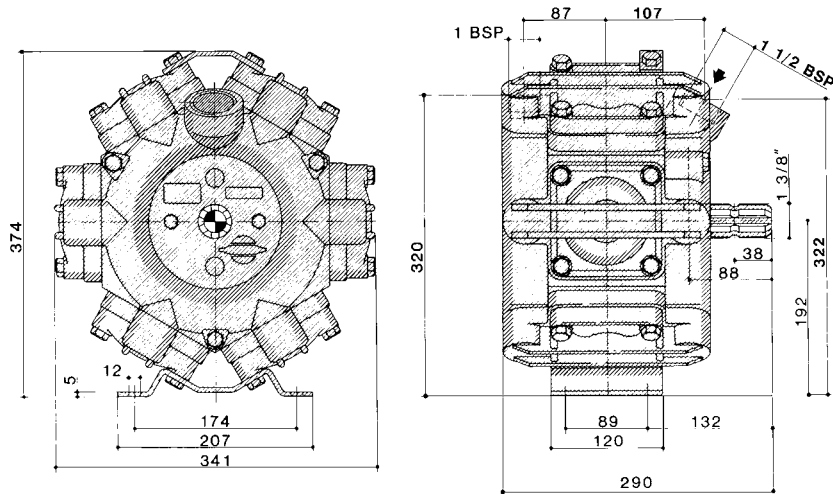
### 463/10.0 (Ref. no. 821591)



*HARDI is the pump choice in the deicing industry*

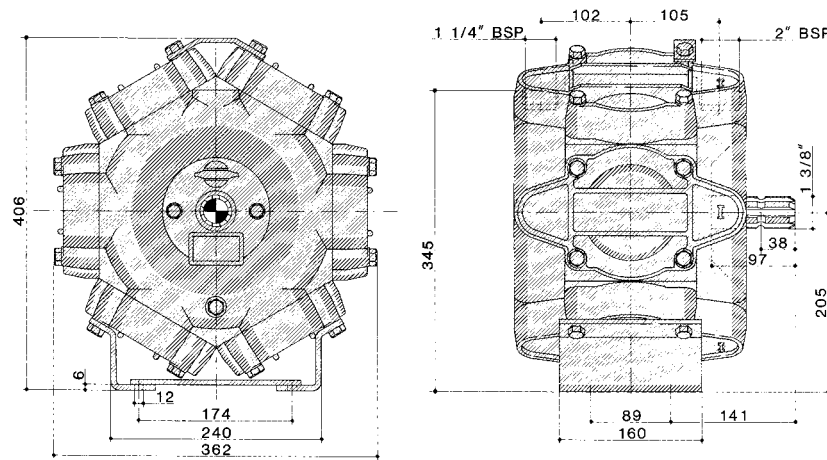


*463 pump*



mm to in = mm x 0.0394

<b>363/7.0</b>	r/min	300		400		500		540		600		700	
	bar	l/min	kW	l/min	kW	l/min	kW	l/min	kW	l/min	kW	l/min	kW
	0	78	0.9	104	1.2	131	1.6	140	1.6	156	1.9	183	2.2
	2	76	1.0	102	1.3	128	1.7	136	1.8	152	2.0	177	2.3
	4	74	1.3	98	1.5	125	1.9	133	2.1	147	2.4	170	2.8
	6	73	1.4	97	1.8	121	2.3	130	2.5	144	2.9	167	3.5
	10	71	1.8	95	2.4	117	3.1	127	3.4	141	3.8	164	4.6
	15	70	2.4	92	3.2	115	3.9	124	4.4	137	5.0	161	5.9
	20	68	2.9	90	3.9	113	4.8	122	5.4	135	5.9	158	7.0
	PSI	gpm	Hp	gpm	Hp	gpm	Hp	gpm	Hp	gpm	Hp	gpm	Hp
	0	20.6	1.2	27.5	1.6	34.6	2.1	37.0	2.1	41.2	2.5	48.3	3.0
	29	20.1	1.3	26.9	1.7	33.8	2.3	35.9	2.4	40.1	2.7	46.7	3.1
	58	19.5	1.7	25.9	2.0	33.0	2.5	35.1	2.8	38.8	3.2	44.9	3.8
	88	19.3	1.9	25.6	2.4	31.9	3.1	34.3	3.4	38.0	3.9	44.1	4.7
	147	18.7	2.4	25.1	3.2	30.9	4.2	33.5	4.6	37.2	5.1	43.3	6.2
	220	18.5	3.2	24.3	4.3	30.4	5.2	32.7	5.9	36.2	6.7	42.5	7.9
294	18.0	3.9	23.8	5.2	29.8	6.4	32.2	7.2	35.6	7.9	41.7	9.4	



mm to in = mm x 0.0394

<b>463/10.0</b>	r/min	300		400		500		540		600		700	
	bar	l/min	kW	l/min	kW	l/min	kW	l/min	kW	l/min	kW	l/min	kW
	0	156	1.0	207	1.3	257	1.6	276	1.8	305	2.1	352	2.8
	2	152	1.2	202	1.7	252	2.3	270	2.6	299	3.0	343	3.8
	4	149	1.7	198	2.5	246	3.1	265	3.5	295	3.9	337	5.2
	6	146	2.2	195	3.0	242	3.9	263	4.3	289	4.9	335	6.1
	10	142	3.1	192	4.3	236	5.6	256	5.9	282	6.7	326	8.1
	15	136	3.9	184	5.3	230	6.6	248	7.0	276	7.9	320	9.3
	PSI	gpm	Hp	gpm	Hp	gpm	Hp	gpm	Hp	gpm	Hp	gpm	Hp
	0	41.2	1.3	54.6	1.7	67.8	2.2	72.9	2.4	80.5	2.8	92.9	3.8
	29	40.1	1.6	53.3	2.3	66.5	3.1	71.3	3.5	78.9	4.1	90.6	5.1
	58	39.3	2.3	52.3	3.3	64.9	4.1	70.0	4.6	77.9	5.2	89.0	6.9
	88	38.5	2.9	51.5	4.0	63.9	5.3	69.4	5.8	76.3	6.6	88.4	8.1
	147	37.5	4.1	50.7	5.7	62.3	7.5	67.6	8.0	74.4	9.0	86.1	10.9
	220	35.9	5.3	48.6	7.1	60.7	8.9	65.5	9.4	72.9	10.6	84.5	12.4

**Model/stroke**  
r/min  
**Bar / PSI**  
**kW / Hp**  
**l/min / gpm**

Pump model and pump stroke in millimetre.  
Maximum revolutions per minute is indicated by the highest figure.  
Maximum pressure is indicated by the highest figure.  
Power consumption in kilowatt and horsepower.  
Capacity in litres and US gallons per minute at zero suction lift.

**HARDI® INC.**

1500 WEST 76th STREET      290 SOVEREIGN ROAD      5646 WEST BARSTOW, SUITE 101  
DAVENPORT, IA. 52806      LONDON, ON N6M 1B3      FRESNO, CA 93722  
TEL: (319) 386-1730      TEL: (519) 659-2771      TEL: (559) 271-3106  
FAX: (319) 386-1710      FAX: (519) 659-2821      FAX: (559) 271-3107

HARDI INTERNATIONAL A/S reserves the right to change the specifications without notice.

US.890665.1.1.99