

HARDI® PUMP 1203



General specifications

- Two diaphragm positive displacement pump.
- Base plate incorporated in crankcase.
- Self-priming.
- Can be run dry.
- Can rotate clockwise or anticlockwise.
- Single grease point for lubrication.
- Dry sump to simplify maintenance.
- No special tools needed for maintenance.
- Polyurethane diaphragms and seals.
- Stainless steel diaphragm discs and bolts.
- Cast iron crankcase and covers.
- 1 1/4" suction port, 1" pressure port.
- Recommended to use HARDI® suction and pressure dampers.

1203/6.0 (Ref. no. 821629)

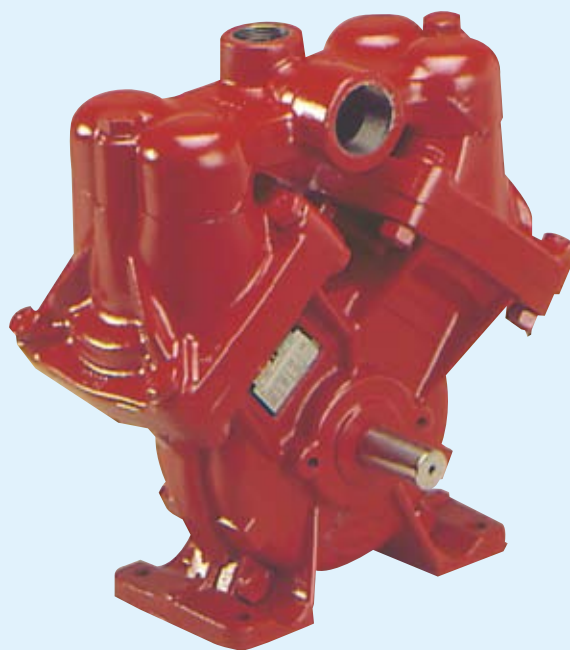
- Tapered shaft for tractor use with HARDI® transmission shaft.
- Normal operating revolutions, 1000 r/min.
- Maximum pressure, 15 bar / 220 PSI.
- Maximum vacuum, 0.22 bar / 3.2 PSI.
- Weight, 25.5 kg / 56 lb.

1203/9.0 (Ref. no. 821630)

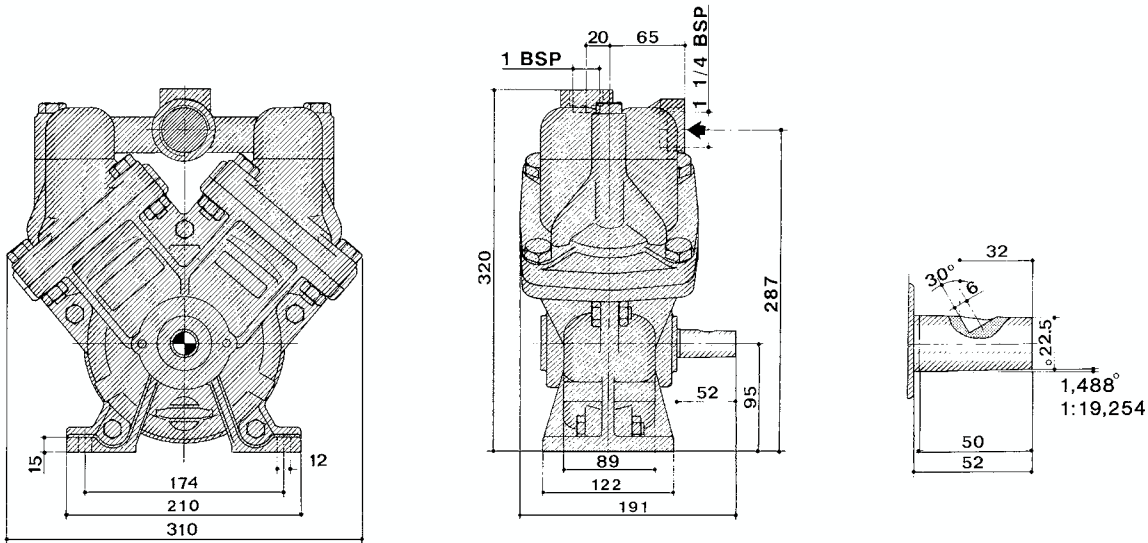
- Tapered shaft for tractor use with HARDI® transmission shaft.
- Normal operating revolutions, 540 r/min.
- Maximum pressure, 15 bar / 220 PSI.
- Maximum vacuum, 0.5 bar / 7.4 PSI.
- Weight, 25.5 kg / 56 lb.



1203 with direct drive unit



1203 pump



mm to in = mm x 0.0394

	r/min	300		400		500		540	600		700		800		900		1000		1100		1200		
	bar	l/min	kW	l/min	kW	l/min	kW		l/min	kW	l/min	kW	l/min	kW	l/min	kW	l/min	kW	l/min	kW	l/min	kW	
1203/6.0	0	36	0.9	47	1.2	58	1.5		71	1.8	83	2.1	93	2.4	101	2.8	108	3.0	115	3.4	128	3.7	
	2	26	1.0	36	1.3	45	1.6		53	1.9	64	2.2	73	2.5	82	2.8	89	3.0	100	3.4	110	3.7	
	4	24	1.0	32	1.3	40	1.6		48	1.9	57	2.2	64	2.5	71	2.8	77	3.1	88	3.5	92	3.7	
	6	23	1.0	31	1.3	39	1.6		46	1.9	53	2.2	60	2.5	68	2.8	74	3.2	82	3.5	87	3.8	
	10	22	1.2	30	1.4	37	1.7		43	2.0	51	2.2	57	2.6	64	2.9	70	3.2	77	3.6	82	3.9	
	15	21	1.3	28	1.5	35	1.8		42	2.1	48	2.4	54	2.8	61	3.2	66	3.5	72	3.9	77	4.1	
		PSI	gpm	Hp	gpm	Hp	gpm	Hp		gpm	Hp	gpm	Hp	gpm	Hp	gpm	Hp	gpm	Hp	gpm	Hp	gpm	Hp
		0	9.5	1.2	12.4	1.6	15.3	2.0		18.7	2.4	21.9	2.8	24.6	3.2	26.7	3.8	28.5	4.0	30.4	4.6	33.8	5.0
		29	6.9	1.3	9.5	1.7	11.9	2.1		14.0	2.5	16.9	3.0	19.3	3.4	21.6	3.8	23.5	4.0	26.4	4.6	29.0	5.0
		58	6.3	1.3	8.4	1.7	10.6	2.1		12.7	2.5	15.0	3.0	16.9	3.4	18.7	3.8	20.3	4.2	23.2	4.7	24.3	5.0
	88	6.1	1.3	8.2	1.7	10.3	2.1		12.1	2.5	14.0	3.0	15.8	3.4	18.0	3.8	19.5	4.3	21.6	4.7	23.0	5.1	
	147	5.8	1.6	7.9	1.9	9.8	2.3		11.4	2.7	13.5	3.0	15.0	3.5	16.9	3.9	18.5	4.3	20.3	4.8	21.6	5.2	
	220	5.5	1.7	7.4	2.0	9.2	2.4		11.1	2.8	12.7	3.2	14.3	3.8	16.1	4.3	17.4	4.7	19.0	5.2	20.3	5.5	
1203/9.0	0	56	0.9	72	1.3	93	1.5	99	1.6	112	1.8	130	2.1										
	2	40	1.0	55	1.3	70	1.6	75	1.7	83	1.8	96	2.1										
	4	40	1.1	54	1.3	66	1.6	72	1.7	80	1.8	93	2.2										
	6	40	1.1	53	1.4	65	1.6	71	1.7	79	1.9	91	2.2										
	10	38	1.4	52	1.7	64	1.8	69	1.9	77	2.1	88	2.5										
	15	37	1.6	50	2.0	62	2.3	67	2.5	75	2.8	86	3.3										
		PSI	gpm	Hp	gpm	Hp	gpm	Hp	gpm	Hp	gpm	Hp	gpm	Hp									
		0	14.8	1.2	19.0	1.7	24.6	2.0	26.1	2.1	29.6	2.4	34.3	2.8									
		29	10.6	1.3	14.5	1.7	18.5	2.1	19.8	2.3	21.9	2.4	25.3	2.8									
		58	10.6	1.5	14.3	1.7	17.4	2.1	19.0	2.3	21.1	2.4	24.6	3.0									
	88	10.6	1.5	14.0	1.9	17.2	2.1	18.7	2.3	20.9	2.5	24.0	3.0										
	147	10.0	1.9	13.7	2.3	16.9	2.4	18.2	2.5	20.3	2.8	23.2	3.4										
	220	9.8	2.1	13.2	2.7	16.4	3.1	17.7	3.4	19.8	3.8	22.7	4.4										

Model/stroke Pump model and pump stroke in millimetre.
r/min Maximum revolutions per minute is indicated by the highest figure.
Bar / PSI Maximum pressure is indicated by the highest figure.
kW / Hp Power consumption in kilowatt and horsepower.
l/min / gpm Capacity in litres and US gallons per minute at zero suction lift.

HARDI® NORTH AMERICA INC.

1500 WEST 76th STREET 8550 W. ROOSEVELT AVENUE 290 SOVEREIGN ROAD
 DAVENPORT, IA, 52806 VISALIA, CA 93291 LONDON, ON N6M 1B3
 Phone: (563) 386-1730 Phone: (559) 651-4016 Phone: (519) 659-2771
 Fax: (563) 386-1710 Fax: (559) 651-4160 Fax: (519) 659-2821
<http://www.hardi-us.com>

HIA-MARKETING
 US-890625-05-2003